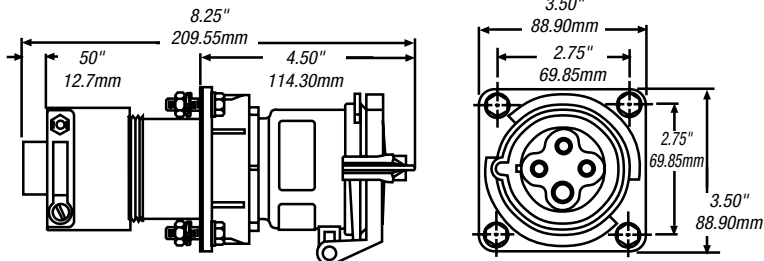

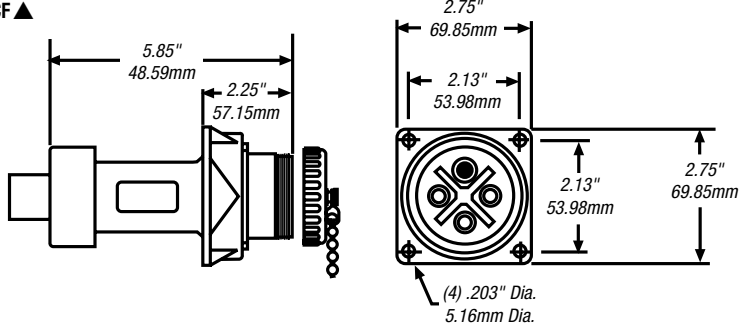

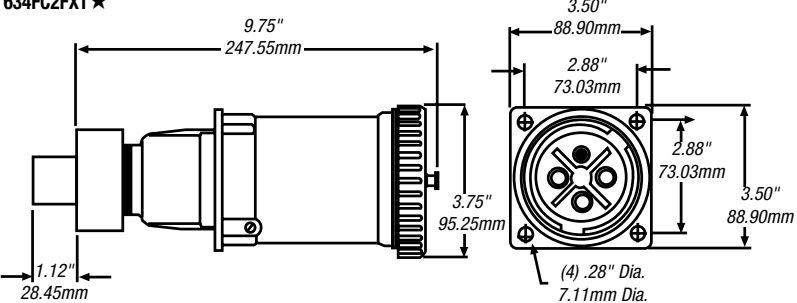

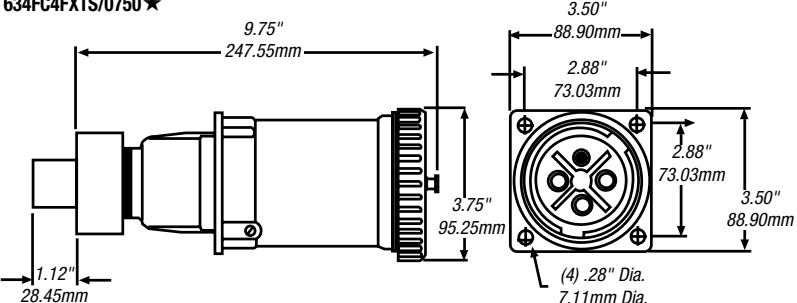



Mipco™ Connections for Refrigerated Containers

Flanged Connectors

Flanged connectors are used in many trailer-mount or underslung applications where connector needs to be mounted through a bulkhead plate or other fixed position.

CAT. NO.	DIMENSIONS	RATING	
333FCVF ▲		32 AMP, 380-440VAC 50/60 Hz, 3P4W IEC 309-2 (480) VAC-USA	
534FCF ▲		50 AMP, 250VAC 60 Hz, 3P4W	
634FC2FXT ★		60 AMP, 250VAC 60 Hz, 3P4W	
634FC4FXTS/0750 ★		60 AMP, 480VAC 60 Hz, 3P4W	

* Polycarbonate housing.

▲ DuraV® housing, UL94V-0 flame rated.

★ AMTUF® housing.